





OTHELLO PLATE

design ridea

~~~~~

Versatile, elegante e modulare, questa versione di Othello è disponibile in diverse dimensioni e proporzioni che lo rendono ideale per qualsiasi soluzione: sotto finestra o a tutta parete, in verticale o in orizzontale. La tipica sezione ellittica di questa collezione qui si ripete longitudinalmente, riducendo lo spessore del radiatore.






~~~~~

Versatile, elegant and modular, this version of Othello is available in several dimensions and proportions making it ideal for any solution: below the window or for the full-height wall, vertical or horizontal. The typical elliptic section of this collection, in this design solution, is iterated lengthwise, reducing the depth of the radiator.

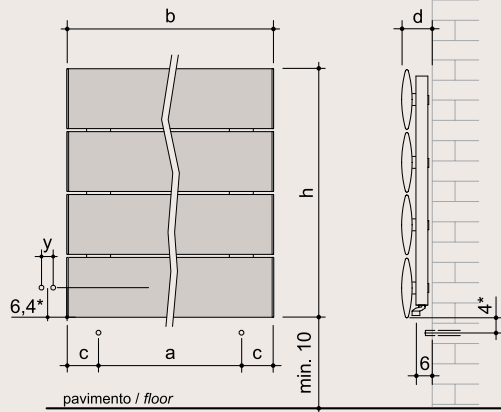
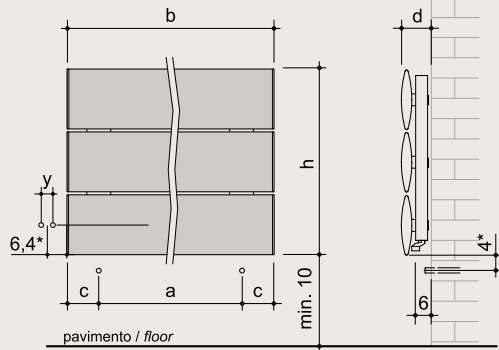
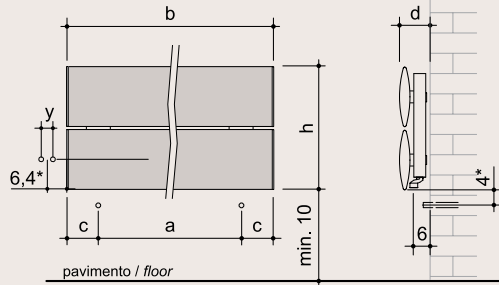
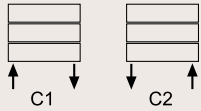
*Finitura fotografata in queste pagine:
Noir 200 Sablè SW306F.*

*Finish photographed on these pages:
Noir 200 Sablè SW306F.*

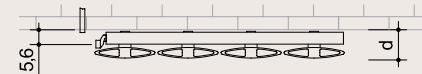
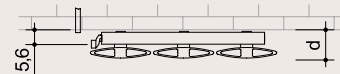
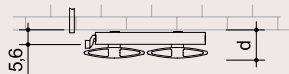
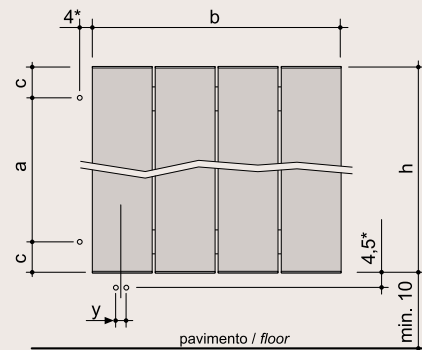
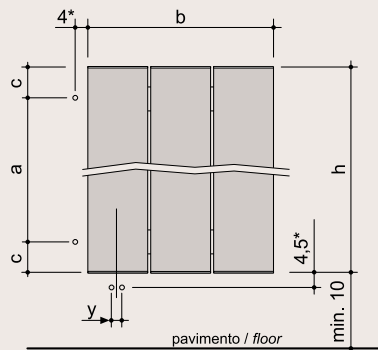
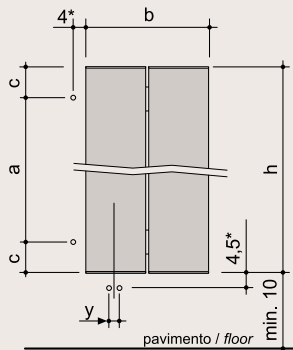
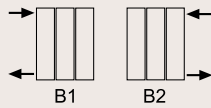
OTHELLO PLATE

hxb (cm)	n numero elementi/ elements number	peso a vuoto/ weight empty (kg)	volume d'acqua/ water volume (dm ³)	a (cm)	c (cm)	d (cm)	e (cm)	Qs resa termica/ thermal yield □t 50°C (watt)	Q potenza elettrica/ electrical power (watt)	versione mista/ combined version	fissa/ not opening	fissa/ not opening
												
verticale/vertical												
69,0x41,0	2	15,0	3,33	48,0	10,5	10,0	-	258	-	-	•	-
89,0x41,0	2	16,0	3,57	68,0	10,5	10,0	-	333	-	-	•	-
189,0x41,0	2	21,5	4,71	168,0	10,5	10,0	-	707	-	-	•	-
69,0x62,0	3	19,5	5,0	48,0	10,5	10,0	-	387	-	-	•	-
89,0x62,0	3	21,0	5,35	68,0	10,5	10,0	-	499	-	-	•	-
189,0x62,0	3	29,5	7,06	168,0	10,5	10,0	-	1060	-	-	•	-
69,0x83,0	4	24,0	6,68	48,0	10,5	10,0	-	516	-	-	•	-
89,0x83,0	4	26,0	7,13	68,0	10,5	10,0	-	665	-	-	•	-
189,0x83,0	4	37,0	9,41	168,0	10,5	10,0	-	1413	-	-	•	-
orizzontale/horizontal												
41,0x69,0	2	15,0	3,33	48,0	10,5	10,0	-	206	-	-	-	•
41,0x89,0	2	16,0	3,57	68,0	10,5	10,0	-	266	-	-	-	•
41,0x189,0	2	21,5	4,71	168,0	10,5	10,0	-	564	-	-	-	•
62,0x69,0	3	19,5	5,0	48,0	10,5	10,0	-	309	-	-	-	•
62,0x89,0	3	21,0	5,35	68,0	10,5	10,0	-	398	-	-	-	•
62,0x189,0	3	29,5	7,06	168,0	10,5	10,0	-	845	-	-	-	•
83,0x69,0	4	24,0	6,68	48,0	10,5	10,0	-	412	-	-	-	•
83,0x89,0	4	26,0	7,13	68,0	10,5	10,0	-	531	-	-	-	•
83,0x189,0	4	37,0	9,41	168,0	10,5	10,0	-	1128	-	-	-	•

Per connessioni di tipo:
For connections type:



Per connessioni di tipo:
For connections type:



*.
utilizzando valvole Ridea
y.
attacco per impianto monotubo
interasse 3,8 cm per tubi rame,
multistrato e ferro utilizzando
valvole Ridea
~~~~~  
\*.  
using Ridea valves  
y.  
connection for single pipe 3,8  
cm centre to centre distance  
for copper and multilayer pipes  
using Ridea valves